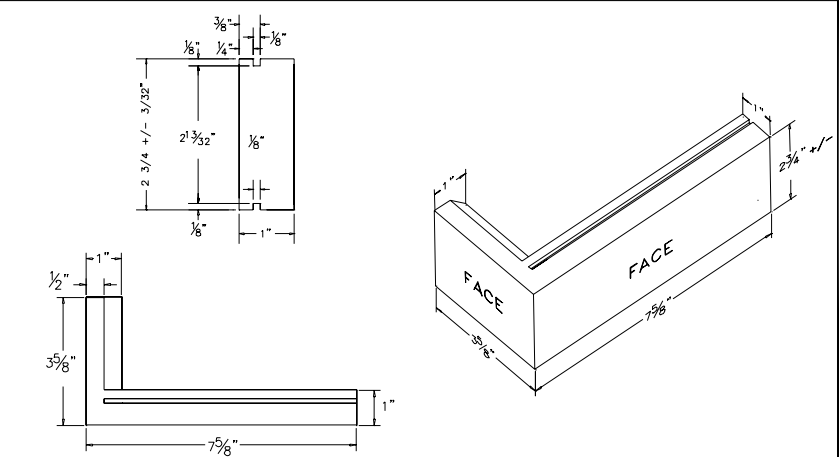


Project: _____
 Customer: _____
 Tru-Brix Order Number: _____
 Plant: CUSHWA Color: _____ Size: Oversize
 Date: 10/26/09 By: D. ARTZ II Page: _____
 Drawing Name: LEFT OX-90° Reference: _____

Tru-Brix®
 Real Brick Siding



H:\ARTZ II\Tru-Brix\Standard Shapes\Left OX-90.dwg

BELOW LINE FOR REDLAND'S USE ONLY: _____ AUTHORIZED FOR PRODUCTION BY: _____ DATE: _____