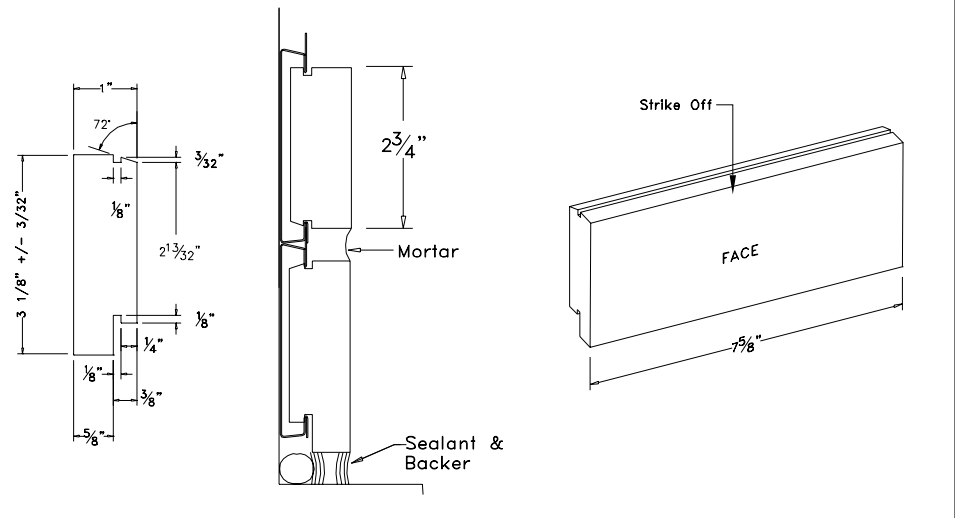


Project: _____
 Customer: _____
 Tru-Brix Order Number: _____
 Plant: CUSHWA Color: _____ Size: Oversize
 Date: 10/26/09 By: D. ARTZ II Page: _____
 Drawing Name: BOTTOM COURSE TILE Reference: _____

Tru-Brix[®]
 Real Brick Siding



H:\ARTZ II\Tru-Brix\Standard Shapes\Bottom Course Transition Tile.dwg

BELOW LINE FOR REDLAND'S USE ONLY:	AUTHORIZED FOR PRODUCTION BY:	DATE:
------------------------------------	-------------------------------	-------