

Project:

Customer:

Tru-Brix Order Number:

Plant: CUSHWA Color:

Size: Oversize

Date: 11/2/09

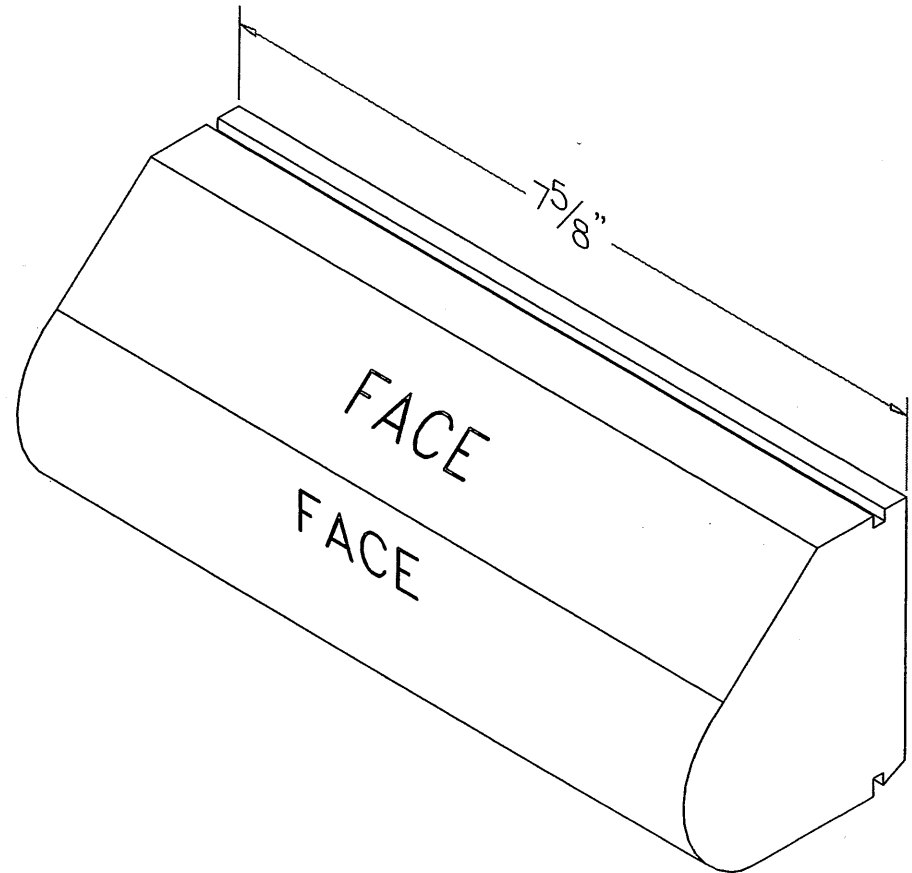
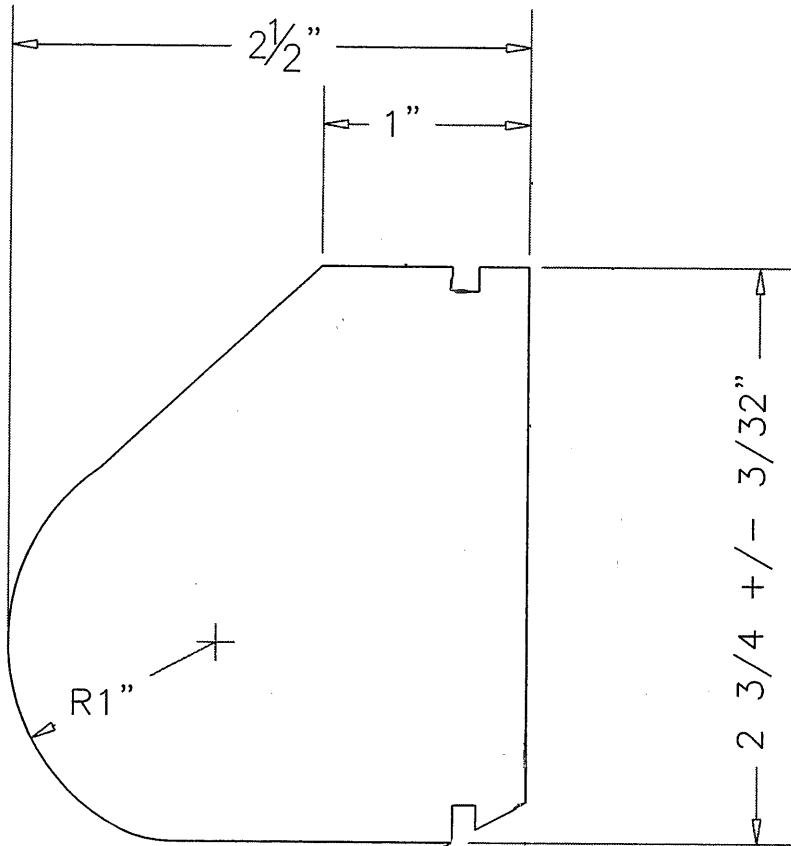
By: D. ARTZ II

Page:

Drawing Name: SILL 2

Reference:

Tru-Brix®  
Real Brick Siding



H:\ARTZ II\Tru-Brix\Standard Shapes\Sill 2.dwg

BELOW LINE FOR REDLAND'S USE ONLY:

AUTHORIZED FOR PRODUCTION BY:

DATE: